

JACK 杰克

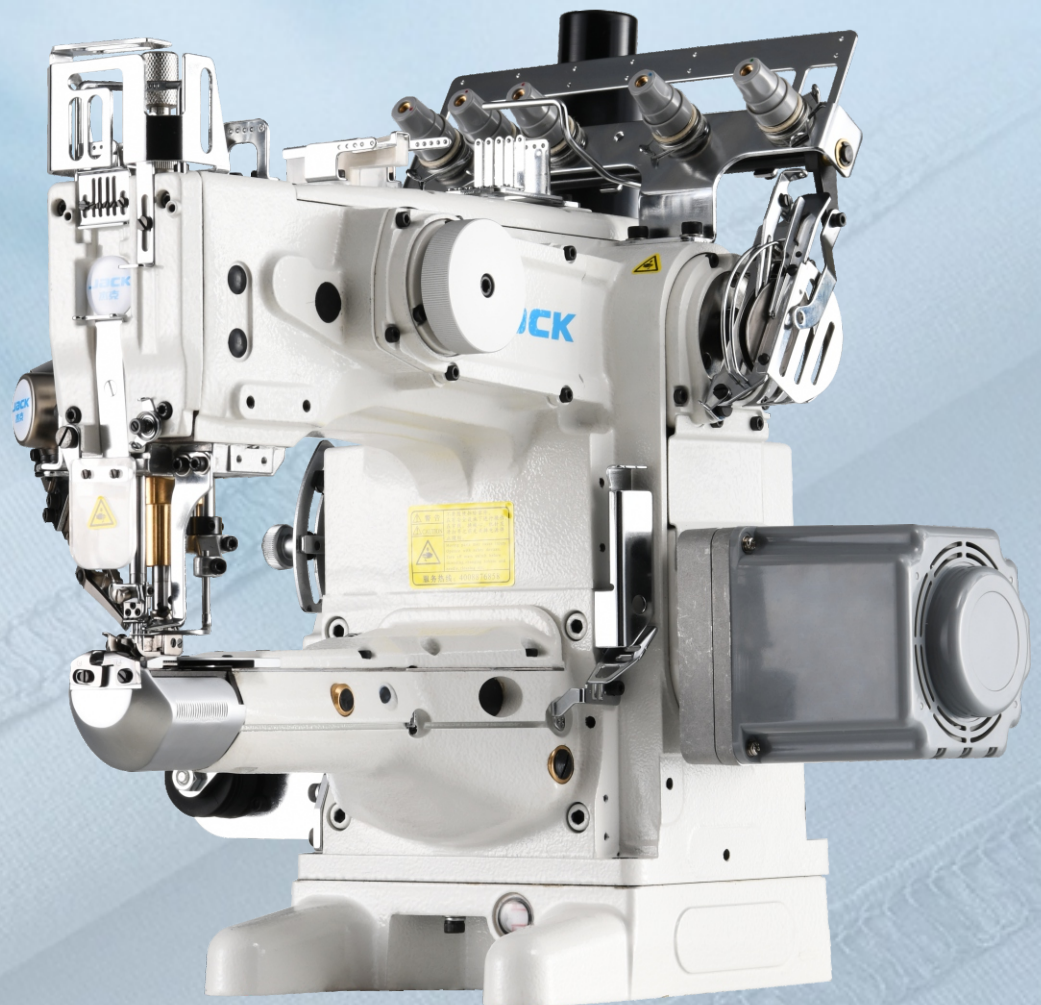
快速服务100%

股票代码
603337

JK-1500C-UT

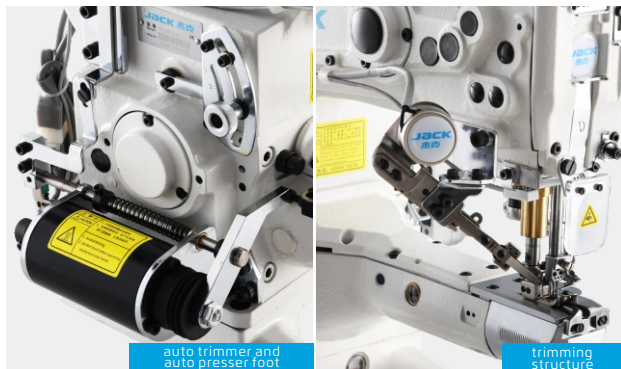
**Straight cylinder high speed
computerized interlock machines**

- Auto trimmer, auto presser foot、high efficiency
- Thickness availability、beautiful stitch
- One machine with muti function、suitable for different processing
- Large space、smooth operation



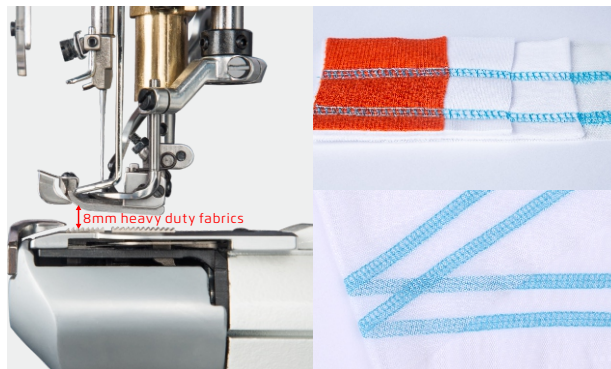
JK-1500C-UT

Item : Straight cylinder high speed computerized interlock machines
 Feature : High efficiency One machine for different craft



auto trimmer and auto presser foot

trimming structure



8mm heavy duty fabrics

1 Auto trimmer, auto presser foot 、 high efficiency

Operators enjoy auto trimmer and auto presser foot function, save threads save labor, high efficiency and output.

2 Thickness availability, beautiful stitch

Maximum presser foot height can reach 8mm. You can get beautiful stitch no matter for super light stockings or bone-crossing sport pants.

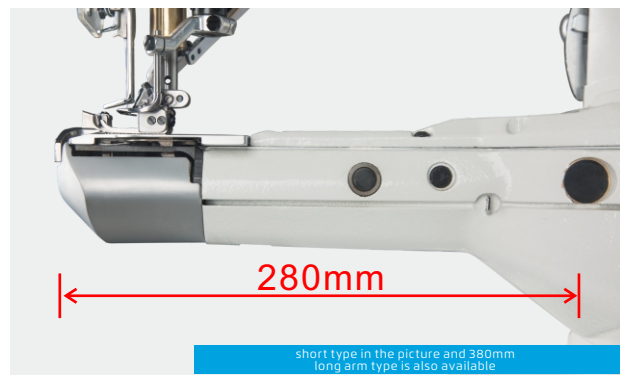


Bone-crossing sewing

Strip attaching sewing

Bottom hemming

Attaching sewing



280mm

short type in the picture and 380mm long arm type is also available

3 One machine with muti function、 suitable for different processing

One machine can satisfy different process for hemming, strip attaching, bone-crossing sewing.

4 Large space、 smooth operation

Large operation space is suitable for sleeve sewing, neckline sewing Super large operation space is available and its maximum length can reach 380mm.

Technical parameter

Model	Needle	Threads	Needle qty	Needle gauge	Differential ratio	Presser foot height	needle bar distance	Max speed (S.p.m)	Auto trimmer	Pneumatic trimmer	Wiping function for up decorative threads	Volume (mm)	Weight (kg)
JK-1500C-156M-D	#11	5	3	1.2-4.5	1:0.7-1:1.8	8	31.5	3800	×	×	×	63.5x53.5x58.5	48/56
JK-1500C-164M-D	#11	5	3	1.2-4.5	1:0.7-1:1.8	8	31.5	3800	×	×	×	63.5x53.5x58.5	48/56
JK-1502C-164M-D	#11	5	3	1.2-4.5	1:0.7-1:1.8	8	31.5	3800	×	×	×	63.5x53.5x58.5	48/56.5
JK-1500C-156M-UT	#11	5	3	1.2-4.5	1:0.7-1:1.8	8	31.5	3800	√	×	√	63.5x53.5x58.5	52.5/62.8
JK-1500C-156M-UT2	#11	5	3	1.2-4.5	1:0.7-1:1.8	8	31.5	3800	√	×		63.5x53.5x58.5	52.3/62.5
JK-1500C-156M-UTL	#11	5	3	1.2-4.5	1:0.7-1:1.8	8	31.5	3800	×	√	√	63.5x53.5x58.5	48.8/59
JK-1500C-460M-UT	#11	6	4	1.2-4.5	1:0.7-1:1.8	8	31.5	3800	√	×	√	63.5x53.5x58.5	52.5/62.8
JK-1500C-156L-D	#11	5	3	1.2-4.5	1:0.7-1:1.8	8	31.5	3800	×	×	×	68.5x51x65	50.5/56.5
JK-1500C-156L-UT	#11	5	3	1.2-4.5	1:0.7-1:1.8	8	31.5	3800	√	×	√	68.5x51x65	55/65.3
JK-1500C-156L-UT2	#11	5	3	1.2-4.5	1:0.7-1:1.8	8	31.5	3800	√	×		68.5x51x65	54.8/65
JK-1500C-156L-UTL	#11	5	3	1.2-4.5	1:0.7-1:1.8	8	31.5	3800	×	√	√	68.5x51x65	51.3/61.5

Note: D means direct drive; UT means computerized model; UT2 means computerized model without up trimming function; M for normal type; L means super long straight type